

you can
Canon

iR3225/N
iR3235/N
iR3245/N

Multifunctional Printer

Versatile, productive
document communication
for the office

Multifunctional

Cost-effective

iR3225/N / iR3235/N / iR3245/N



A productive range for all your document communication needs

Canon's iR3225/N, iR3235/N and iR3245/N set new standards for productive, cost-effective black and white document communication. These multifunctional office devices are effortless to use and include powerful facilities for secure management and control. Three different devices provide a solution for a variety of budgetary constraints.

1 Professional finishing

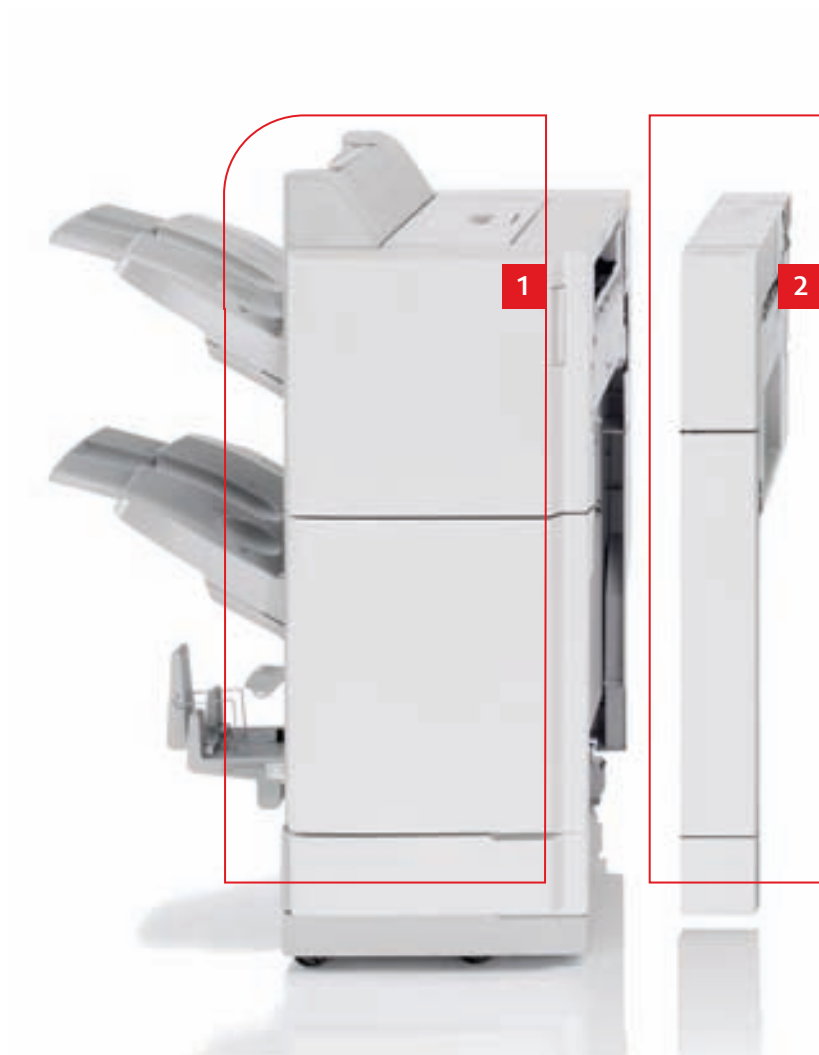
For professional-looking documents that really stand out choose the Saddle-Finisher AE2. It allows you to automatically create 60 page A4 and A5 booklets (using 15 sheets) with

Professional Output

just a few simple mouse clicks, from the comfort of your desk. Use Canon's iW360, and you can quickly combine information from different sources to create a stylish report or even a staff magazine.

2 Hole punching

Provide a perfectly aligned 2 or 4-hole punch finish to documents by configuring your Saddle Finisher with a Puncher Unit, available in two formats.



3 Document feeder/image reader

A 100 sheet document feeder accommodates a variety of paper sizes to cope with copying and scanning of the largest documents. Using the image reader and the new Colour Universal Send feature, enables you to scan documents and send them instantly in colour to email addresses, mailboxes and network folders.

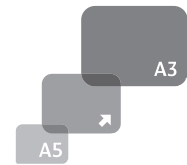
4 Environmental approach

Canon's on-demand fixing technology allows the device to automatically "sleep" when not in use to save power. When needed, it's ready to use again in just a few seconds, maximising productivity. The device adheres to the strictest environmental standards such as RoHS, restricting the use of hazardous substances. Plus, the toner "charging process" employed means no ozone is produced, reassuring in today's environmentally conscious business environment.

The device also incorporates Canon's MEAP (Multifunctional Embedded Application Platform) technology, which enables new and customised applications to be incorporated directly into the device, whenever desired. Performance improvements can therefore be quickly realised, without unnecessary changes to your infrastructure.

5 6 7 Extensive paper supply

An extensive paper supply of 4,950 sheets from six different sources ensures the device is both versatile and built for your busiest days. The 550 sheet cassettes are easily adjusted to handle paper sizes ranging from A5 to a sizeable A3. A 50-sheet manual bypass facility accommodates heavier paper weights, allowing you to create documents using media up to 128gsm.

**1 Saddle finisher AE2 – optional****2 Puncher Unit – optional****3 DADF (100 sheets) – optional for non N model****4 Environmental approach****5 Paper cassettes (2 x 550 sheets)****6 Paper cassettes (2 x 550 sheets) – optional****7 Paper deck (2700 sheets) – optional**

Specifications iR3225/N / iR3235/N / iR3245/N

<p>Type Maximum Original Size Copy Sizes Stack Bypass Resolution</p> <p>Copy/Print Speed A4</p> <p>A3</p> <p>First copy time</p> <p>Warm-Up Time</p> <p>Multiple Copies/Prints Duplexing Paper weight</p> <p>Cassette/Universal Paper Capacity Standard Multi Stack Bypass Optional Side paper deck Max paper capacity CPU Memory Hard Disk Drive Interface Power Supply</p> <p>Power Consumption Dimensions (W x D x H)</p> <p>Installation space (W x D) Weight</p>	<p>Desktop A3 Cassette: A5R - A3 A3 - A5, Free Size (99 x 148mm to 297 x 432mm), Envelopes Scanning: 600dpi x 600dpi Copying: 1200dpi equivalent x 600dpi Printing: 1200dpi x 1200dpi 256 Gradations</p> <p>iR3245/N: 45ppm B&W iR3235/N: 35ppm B&W iR3225/N: 25ppm B&W iR3245/35/N: 22ppm B&W iR3225/N: 14ppm B&W iR3245/35/N: Less than 3.9 sec iR3225/N: Less than 4.9 sec</p> <p>30 sec or less (10 sec or less from sleep mode) (non N Model) 35 sec or less (10 sec or less from sleep mode) (N Model)</p> <p>1 to 999 sheets Standard automatic stackless Cassette: 64 to 90g/m² Stack Bypass: 64 to 128g/m² A5R to A3 550 sheets x 2 cassettes (1,100 sheets) 50 sheets (80g/m²) 550 sheets x 2 cassettes (1,100 sheets) 2,700 sheets 4,950 sheets Canon Custom Processor, 800Mhz + 400Mhz 512MB+256MB (non N model), 1GB+256MB (N model) 60GB Ethernet (1000Base-T/100Base-TX/10Base-T) iR3245/35/N: 200-240V 5A 50/60Hz iR3225/N: 200-240V 5A 50/60Hz 1.50kW maximum 565 x 700 x 761 mm (non N model), 565 x 700 x 901 mm (N model) 862 x 700 mm Approx. 74 kg (non N model), Approx. 82 kg (N model)</p>	<p>DADF-U1 (STANDARD FOR N MODEL) Paper size Paper weight</p> <p>Max. Number of originals Document Scanning speed</p> <p>Dimensions (W x D x H) Weight</p>	<p>A3-A5R Single sided original: 42 to 128 g/m² Double sided original: 50 to 128 g/m² 100 sheets (80 g/m²) Copy: A4 45ipm Scan: A4 51ipm 565 x 540 x 140 mm Approx. 8 kg</p>
	<p>CASSETTE FEEDING UNIT Y3 Type Paper Capacity Dimensions (W x D x H) Weight</p>	<p>2 Front-loading adjustable drawers 550 sheets (80 g/m²) x 2 cassettes 565 x 700 x 252 mm Approx. 23 kg</p>	
	<p>PAPER DECK-Q1 Paper Size Paper Capacity Dimensions (W x D x H) Weight</p>	<p>A4 2,700 sheets (80 g/m²) 372 x 591 x 473 mm Approx. 29.6 kg</p>	
	<p>FINISHER-S1 Number of trays Tray capacity</p> <p>Staple position Staple capacity</p> <p>Weight</p>	<p>One stack tray (Inner) & one optional tray One Tray: A4-A5R: 1000 sheets, A3, A4R: 500 sheets Two Trays (Optional): A4-A5R: 300 sheets on each tray, A3, A4R: 150 sheets on each tray Corner A4: 50 sheets A3, A4R: 30 sheets Approx. 12 kg</p>	
	<p>FINISHER-AE1/SADDLE FINISHER-AE2 Number of trays Tray capacity</p> <p>Staple position Staple capacity</p> <p>Saddle Stitch Specifications (Saddle Finisher-AE2 only)</p> <p>Dimensions (W x D x H)</p> <p>Weight</p>	<p>2 tray A4-A5R: 1,000 sheets A3: 500 sheets Corner, Double, Saddle Stitch (AE2 only) A4: 50 sheets A3, A4R: 30 sheets</p> <p>Paper size: A3, A4R Staple capacity: 1 to 15 sheets (60 pages, 64-80 g/m²) Paper weight: 64 to 80 g/m² (128 g/m² for Cover) AE1: 643 x 657 x 1037 mm AE2: 747 x 657 x 1037 mm AE1: 43.2 kg AE2: 73.2 kg</p>	
	<p>OTHER ACCESSORIES</p>	<p>UFR II Printer Kit-AA1, Expansion Bus-E1, Barcode Printing Kit - A1, Web Access Software-G1, Secure Watermark-A1, Encrypted Printing Software-C1, HDD Data Erase Kit-A1, HDD Data Encryption Kit-B5*, Access Management System Kit-A1, Wireless LAN Board-A1, System Upgrade RAM-A1, Additional Memory Type A (512MB), IPsec Board-A1, Universal Send Advanced Feature Set-B1, Universal Send Security Feature Set-B1, Digital User Signature Kit-B1, Super G3 FAX Board-AC1, iR3100C pedestal, FL Cassette-Y1 (L), FL Cassette-Z1 (M), Platen Cover Type M, Stamp Ink Cartridge - C1 GP, Inner 2way Tray-D1, Additional finisher Tray-B1, Buffer Pass Unit-E2, Copy Tray - J1, Puncher Unit - L1 (2holes), Puncher Unit - N1 (4holes), Puncher Unit-Q1 (2holes), Puncher Unit-S1 (4holes), Staple Cartridge - J1 GP, Staple Cartridge-D3 GP, Card Reader - C1, Card Reader Attachment-B3, Document Tray - J1, ADF Access Handle-A1, Remote Operators Software Kit-A3, Voice Guidance Kit-D1, Voice Operation Kit-B1</p>	
<p>UFR II/PCL PRINTER KIT-AA1 (STANDARD FOR N MODEL) PDL Resolution Memory Hard Disk CPU PCL Fonts Supported OS Interface Network Protocol Pull Scan</p>	<p>PCL5e, PCL6 and UFR II 1200dpi x 1200dpi 512MB+256MB (non N model), 1GB+256MB (N model) (Uses Main unit Memory) 60GB (Uses Main unit HDD) 800Mhz + 400Mhz (Uses Main unit CPU) Roman80, Bitmap1 PCL: Windows 2000/XP/Server 2003/Server 2008/Vista UFR II: Windows 2000/XP/Server 2003/Server 2008/Vista/ Mac OSX 10.2.8 or later Ethernet (1000Base-T/100Base-TX/10Base-T), Wireless LAN(IEEE802.11b/g, Optional), USB2.0 TCP/IP (LPD/Port9100/IPP/PPS/SMB/FTP), IPv6, IPX/SPX (NDS.Bindery), AppleTalk Network TWAIN Driver (75 to 600dpi 24bit color / 8bit grayscale / B&W)</p>		
<p>PS PRINTER KIT-AA1 PDL PS Fonts Supported OS</p>	<p>PostScript3 Emulation Roman136 Windows 2000/XP/Server 2003/Vista, Mac OSX 10.2.8 or later Mac-PPD: Mac OS9.1 or later, Mac OSX 10.2.8 or later)</p>		
<p>UNIVERSAL SEND KIT-P1 Scan Speed Scan Resolution Destinations Address book File Format</p>	<p>A4 51 ipm 300dpi (Colour/B&W) with DADF 100dpi,150 x 150dpi, 200 x 100dpi, 200dpi, 200 x 400dpi*, 300 dpi, 400 dpi*,600 dpi* (*System Upgrade RAM-A1 required) E-Mail/Internet FAX (SMTP, BW only), PC (SMB, FTP, NCP), iWDM (FTP), WebDAV LDAP, Local (Max. 1800) Single: TIFF, JPEG, PDF, XPS Multi: TIFF, PDF, XPS</p>		

Some images are simulated for clarity of reproduction. All data is based on Canon's standard testing methods. This leaflet and the specifications of the product have been developed prior to the date of product launch. Final specifications are subject to change without notice. ® and ©: All company and/or product names are trademarks and/or registered trademarks of their respective manufacturers in their markets and/or countries.

Canon Recommends you use Canon Media for the best results. Please check media (paper) compatibility list to see which variety of paper/media is recommended. Canon's GENUINE logo means Quality all-round performance. For more information, go to www.canon-europe.com/Canon_Copier_Consumable_Technology

* available December 2008



you can
Canon

falcon
We make it simple

FREEFONE: 0800 08 22224

Head Office: Falcon House, The Forum, Icknield Way, Tring, Herts. HP23 4JX

www.falconcopiers.co.uk